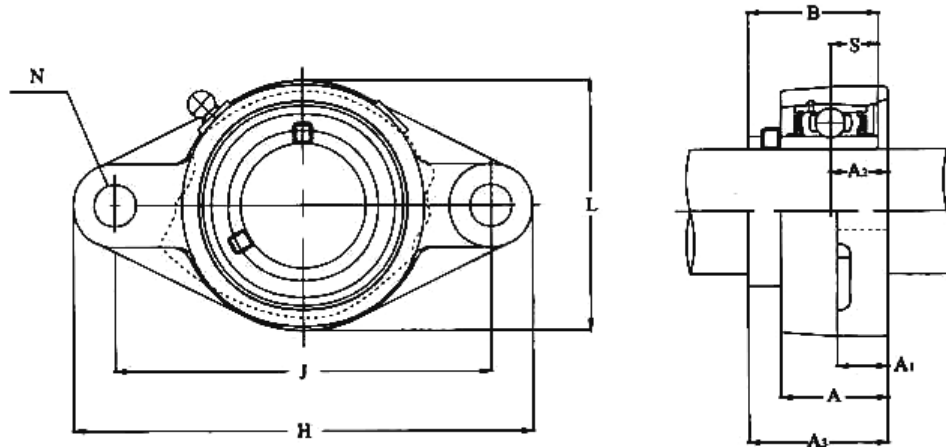


**PRODUCT SPECIFICATION DATA SHEET**



These dimensions are used in all other material made housings and insert ball bearings, such as Stainless Steel, Nickel Plated or Plastic housings.

HOUSING No	UNIT No.	SHAFT SIZE	DIMENSIONS										BOLT SIZE
			in-mm										
			H	J	A2	A1	A	N	L	A3	B	S	
FL203	UCFL201	12mm											
	UCFL201-8	1/2											
	UCFL202	15mm	4 7/16	3 35/64	19.32	7/16	1	15/32	2 3/8	1 5/16	1.2205	0.5	3/8
	UCFL202-10	5/8	113	76.2	15	11.1	25.4	12	60	33.3	31	12.7	10
	UCFL203	17mm											
UCFL203-11	11/16												
FL204	UCFL204	20mm	4 7/16	3 35/64	19/32	7/16	1	15/32	2 3/8	1 5/16	1.2205	0.5	3/8
	UCFL204-12	3/4	113	90	15	11.1	25.4	12	60	33.3	31	12.7	10
FL205	UCFL205	25mm											
	UCFL205-13	13/16											
	UCFL205-14	7/8	5 1/8	3 57/64	5/8	1/2	1 1/16	5/8	2 11/16	1 13/32	1.3386	0.563	1/2
	UCFL205-15	15/16	130	99	16	12.7	27	15.8	68	35.7	34	14.3	14
	UCFL205-16	1											
FL206	UCFL206	30mm											
	UCFL206-17	1 1/16											
	UCFL206-18	1 1/8	5 13/16	4 39/64	45/64	1/2	1 7/32	5/8	3 5/32	1 19/32	1.5	0.626	1/2
	UCFL206-19	1 3/16	148	117	18	12.7	31	15.8	80	40.2	38.1	15.9	14
	UCFL206-20	1 1/4											
FL207	UCFL207	35mm											
	UCFL207-20	1 1/4											
	UCFL207-21	1 5/16	6 11/32	5 1/8	3/4	9/16	1 11/32	5/8	3 17/32	1 3/4	1.689	.689	1/2
	UCFL207-22	1 3/8	161	130	19	14.3	34	15.8	90	44.4	43	17.5	14
	UCFL207-23	1 7/16											
FL208	UCFL208	40mm											
	UCFL208-24	1 1/2	6 7/8	5 43/64	53/64	9/16	1 13/32	5/8	3 15/16	2 1/32	1.937	0.748	1/2
	UCFL208-25	1 9/16	175	144	21	14.3	35.7	15.8	100	51.2	49.2	19	14
FL209	UCFL209	45mm											
	UCFL209-26	1 5/8	7 13/32	5 53/64	55/64	19/32	1 1/2	3/4	4 1/4	2 1/16	1.937	0.748	5/8
	UCFL209-27	1 11/16	188	148	22	15	38	19.05	108	52.2	49.2	19	16
	UCFL209-28	1 3/4											
FL210	UCFL210	50mm											
	UCFL210-29	1 13/16											
	UCFL210-30	1 7/8	7 3/4	6 3/16	55/64	19/32	1 9/16	3/4	4 17/32	2 5/32	2.031	.748	5/8
	UCFL210-31	1 15/16	197	157	22	15	40	19.05	115	54.6	51.6	19	16

	<b>UCFL210-32</b>	2											
<b>FL211</b>	<b>UCFL211</b>	55mm											
	<b>UCFL211-32</b>	2	8 13/16	7 1/4	63/64	23/32	1 11/16	3/4	5 1/8	2.315	2.189	.87	5/8
	<b>UCFL211-33</b>	2 1/16	224	184	25	18.3	43	19.05	130	58.8	55.6	22.2	16
	<b>UCFL211-34</b>	2 1/8											
	<b>UCFL211-35</b>	2 3/16											
<b>FL212</b>	<b>UCFL212</b>	60mm											
	<b>UCFL212-36</b>	2 1/4	9 27/32	7 61/64	1 9/64	23/32	1 7/8	29/32	5 1/2	2 23/32	2.563	1	3/4
	<b>UCFL212-37</b>	2 5/16	250	202	29	18.3	47.6	23	140	68.7	65.1	25	20
	<b>UCFL212-38</b>	2 3/8											
	<b>UCFL212-39</b>	2 7/16											
<b>FL213</b>	<b>UCFL213</b>	65mm	10 5/32	8 17/64	1.181	25/32	1 31/32	29/32	6 3/32	2.744	2.563	1	3/4
	<b>UCFL213-40</b>	2 1/2	258	210	30	20	50	23	155	69.7	65	25	20
	<b>UCFL213-41</b>	2 9/16											
<b>FL214</b>	<b>UCFL214</b>	70mm											
	<b>UCFL214-42</b>	2 5/8	10 7/16	8 1/2	1.22	25/32	2 1/8	29/32	6 5/16	2.9685	2.937	1.19	3/4
	<b>UCFL214-43</b>	2 11/16	265	216	31	20	54	23	160	75.4	74.6	30.2	20
	<b>UCFL214-44</b>	2 3/4											
<b>FL215</b>	<b>UCFL215</b>	75mm											
	<b>UCFL215-45</b>	2 13/16	10 3/16	8 55/64	1.344	25/32	2 7/32	29/32	6 1/2	3.0945	3.063	1.31	3/4
	<b>UCFL215-46</b>	2 7/8	275	225	34	20	56.4	23	165	78.6	77.8	33.3	20
	<b>UCFL215-47</b>	2 15/16											
	<b>UCFL215-48</b>	3											

With Lubrication feature.

Any UC bearing type has dual set screw locking, wide inner ring and anti-rotation device.