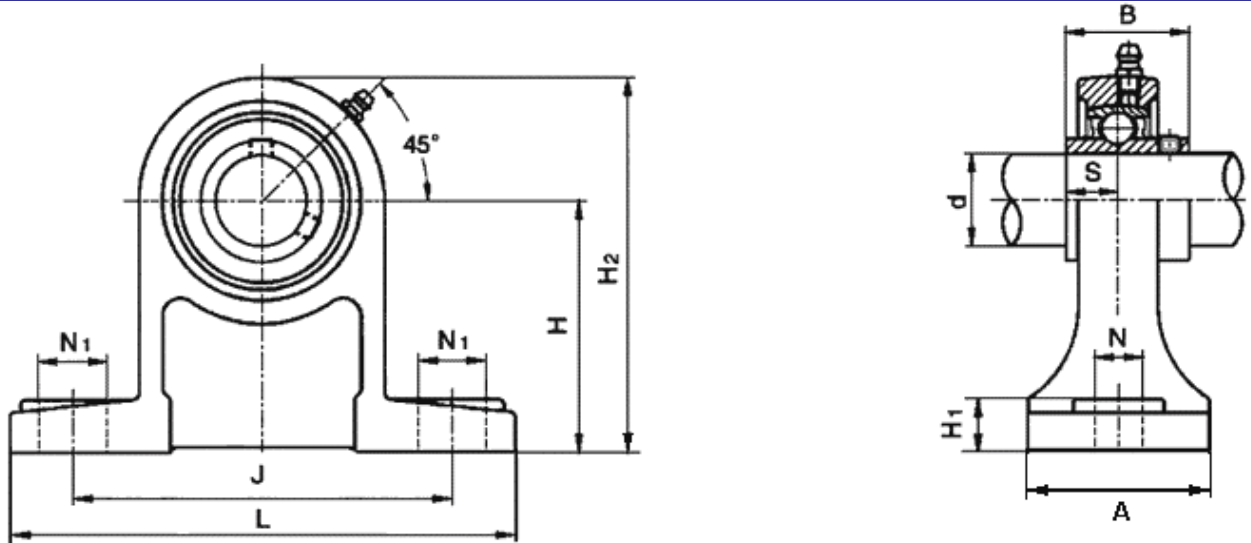


HOUSING DIMENSIONS



Two bolt pillow block unit. Lubrication feature is standard.

"UC" type ball bearing has dual set screw locking, wide inner ring and anti-rotation device.

"P" Designate as Pillow Block type Housing.

NOTE: All other material made Housings or/and Ball Bearings are equally matches with the following dimensions.

Unit Number	Shaft Dia.		Dimension (mm) (inch)										Bolt Used (mm) (inch)
	d		H	L	J	A	N	N1	H1	H2	S	B	
	(in)	(mm)											
UCPH201 UCPH201-8	1/2	12	70 2-3/4	127 5	95 3-3/4	40 1.-9/16	13 1/2	19 3/4	15 19/32	101 3-31/32	12.7 1/2	31 1.2205	M10 3/8
UCPH202 UCPH202-10	5/8	15	70 2-3/4	127 5	95 3-3/4	40 1.-9/16	13 1/2	19 3/4	15 19/32	101 3-31/32	12.7 1/2	31 1.2205	M10 3/8
UCPH203 UCPH203-11	11/16	17	70 2-3/4	127 5	95 3-3/4	40 1.-9/16	13 1/2	19 3/4	15 19/32	101 3-31/32	12.7 1/2	31 1.2205	M10 3/8
UCPH204 UCPH204-12	3/4	20	70 2-3/4	127 5	95 3-3/4	40 1.-9/16	13 1/2	19 3/4	15 19/32	101 3-31/32	12.7 1/2	31 1.2205	M10 3/8
UCPH205 UCPH205-14 UCPH205-15 UCPH205-16	7/8 15/16 1	25	80 3-5/32	140 5-1/2	105 4-1/8	50 1-31/32	13 1/2	19 3/4	16 5/8	114 4-1/2	14.30 0.5630	34 1.3386	M10 3/8
UCPH206 UCPH206-17 UCPH206-18 UCPH206-19 UCPH206-20	1 1/16 1 1/8 1 3/16 1 1/4	30	90 3-35/64	165 6-1/2	121 4-3/4	50 1-31/32	17 21/32	21 13/16	18 23/32	130 5-1/8	15.90 0.626	38.1 1-1/2	M14 9/16
UCPH207 UCPH207-20 UCPH207-21 UCPH207-22 UCPH207-23	1 1/4 1 5/16 1 3/8 1 7/16	35	95 3.7402	167 6-9/16	127 5.0	60 2-3/8	17 21/32	21 13/16	18 0.7087	140 5-1/2	17.5 0.689	12.9 1.689	M14 9/16
UCPH208 UCPH208-24 UCPH208-25	1 1/2 1 9/16	40	100 3-15/16	184 7-1/4	137 5.3937	70 2.7559	17 21/32	21 13/16	20 0.7874	150 5-29/32	19 0.748	49.2 1-15/16	M14 9/16
UCPH209 UCPH209-27 UCPH209-28 UCPH209-29	1 5/8 1 11/16 1 3/4	45	105 4-9/64	190 7.4803	146 5-3/4	70 2.7559	17 21/32	21 13/16	20 0.7874	158 6-7/32	19 0.748	49.2 1-15/16	M14 9/16
UCPH210 UCPH210-30 UCPH210-31 UCPH210-32	1 7/8 1 15/16 2	50	110 4.337	206 8-1/8	159 6-1/4	70 2.7559	20 0.7874	22 7/8	22 7/8	165 6-1/2	19 0.748	51.6 2.0315	M16 5/8