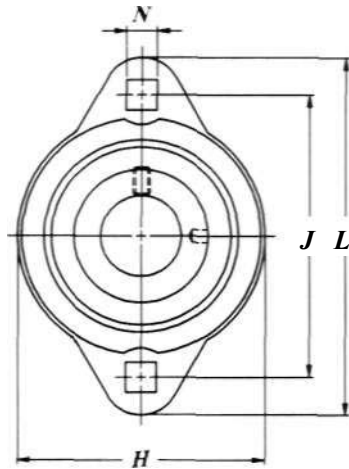
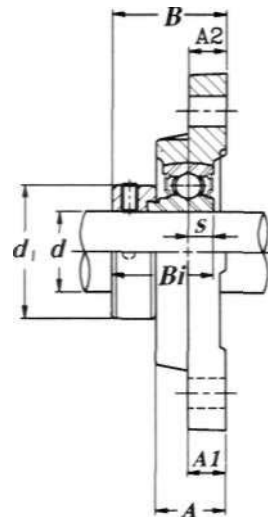


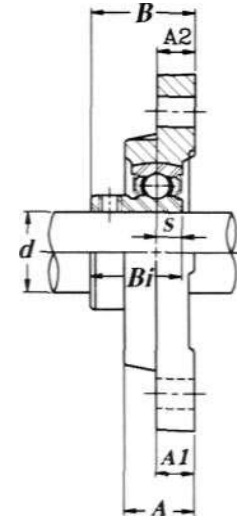
Flange Units
Ductile iron housing



SAFTD 200



SBFTD 200



SBFTD200 SERIES WITH SET SCREW TYPE

UNIT No	Shaft Dia. d	DIMENSIONS										Bolt Used	Bearing No.	Housing No.	Weight	
		L	J	AI	A	N	H	S	B	Bi	kg				lbs	
SBFTD-201-08 202-10 203	1/2 5/8 17mm	81 3.1890	64 2.5197	10 0.3937	17 0.6693	7 0.2756	56 2.2047	7 0.2756	25.2 0.9921	24 0.9449	1/4	SB 201-08 202-10 203	PFTD 203	0.23	0.51	
SBFTD 204-12 204	3/4 20mm	90 3.5433	71 2.7953	11 0.4331	20 0.7874	9 0.3543	63 2.4803	7 0.2756	28.1 1.1063	25 0.9843	5/16	SB 204-12 204	PFTD 204	0.27	0.59	
SBFTD 205-14 205-15 205-16 205	7/8 15/16 1 25mm	95 3.7402	76 2.9921	11 0.4331	20 0.7874	9 0.3543	69 2.7165	7.5 0.2953	28.1 1.1063	27 1.0630	5/16	SB 205-14 205-15 205-16 205	PFTD 205	0.38	0.84	
SBFTD 206-18 206-19 206-20 206	1 1/8 1 3/16 1 1/4 30mm	113 4.4488	90 3.5433	12 0.4724	22 0.8661	10 0.3937	79 3.1102	8 0.3150	33.2 1.3071	29 1.1417	3/8	SB 206-18 206-19 206-20 206	PFTD 206	0.54	1.19	
SBFTD 207-20 207-21 207-22 207-23 207	1 1/4 1 5/16 1 3/8 1 7/16 35mm	122 4.8031	100 3.9370	13 0.5118	24 0.9449	10 0.3937	89 3.5039	9 0.3543	35.2 1.3858	32 1.2598	3/8	SB 207-20 207-21 207-22 207-23 207	PFTD 207	0.71	1.56	

SAFTD200 SERIES WITH ECCENTRIC LOCKING COLLAR TYPE

UNIT No	Shaft Dia. d	DIMENSIONS											Bolt Used	Bearing No.	Housing No.	Weight	
		L	J	AI	A	S	H	S	B	Bi	dI	kg				lbs	
SAFTD 201-08 202-10 203	1/2 5/8 17mm	81 3.1890	64 2.5197	10 0.3937	17 0.6693	7 0.2756	56 2.2047	7 0.2756	31.8 1.2520	29.5 1.1614	28.6 1.1260	1/4	SA 201-08 202-10 203	PFTD 203	0.26	0.57	
SAFTD 204-12 204	3/4 20 mm	90 3.5433	71 2.7953	11 0.4331	20 0.7874	9 0.3543	63 2.4803	7 0.2756	34.1 1.3425	29.5 1.1614	33.3 1.3110	5/16	SA 204-12 204	PFTD 204	0.29	0.64	
SAFTD 205-14 205-15 205-16 205	7/8 15/16 1 25mm	95 3.7402	76 2.9921	11 0.4331	20 0.7874	9 0.3543	69 2.7165	7.5 0.2953	34.1 1.3425	30.5 1.2008	38.1 1.5000	5/16	SA 205-14 205-15 205-16 205	PFTD 205	0.40	0.88	
SAFTD 206-18 206-19 206-20 206	1 1/8 1 3/16 1 1/4 30mm	113 4.4488	90 3.5433	12 0.4724	22 0.8661	10 0.3937	79 3.1102	8 0.3150	38.9 1.5315	33.9 1.3346	44.5 1.7520	3/8	SA 206-18 206-19 206-20 206	PFTD 206	0.60	1.32	
SAFTD 207-20 207-21 207-22 207-23 207	1 1/4 1 5/16 1 3/8 1 7/16 35mm	122 4.8031	100 3.9370	13 0.5118	24 0.9449	10 0.3937	89 3.5039	9 0.3543	42.1 1.6575	37.5 1.4764	55.6 2.1890	3/8	SA 207-20 207-21 207-22 207-23 207	PFTD 207	0.84	1.85	

NOTE: To specify relubricatable units, with "G" suffix.