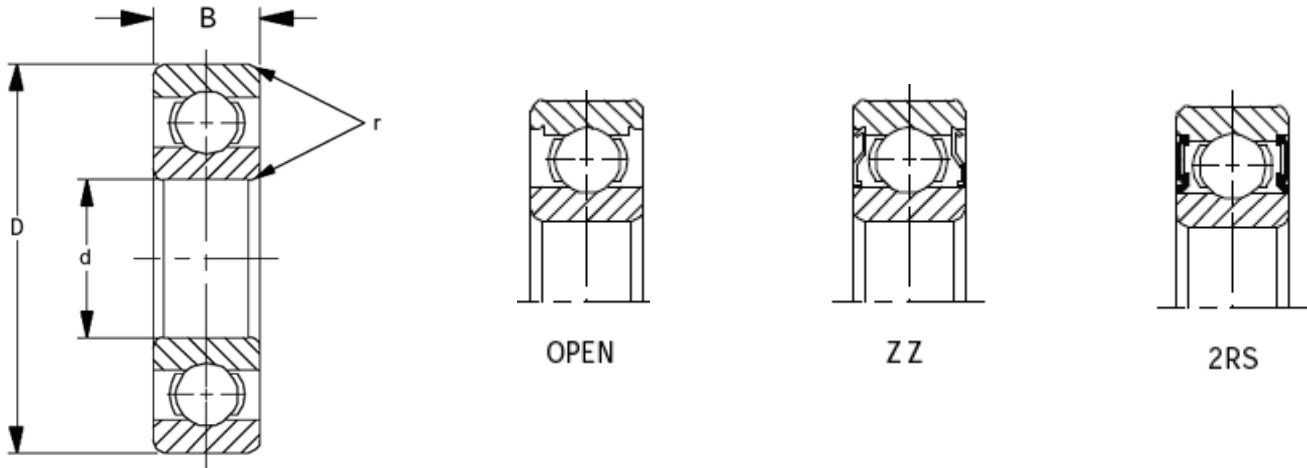




Single Row Radial Ball Bearings

R Series Inch Size



Bearing No	DIMENSIONS Inch					LOAD RATING Lbs	
	d	D	B Open	B ZZ / 2RS	r (min)	Dynamic Cr (N)	Static Cor (N)
R6	0.375	0.875	0.2188	0.2812	0.16	745	315
R8	0.500	1.125	0.2500	0.3125	0.16	1148	535
R10	0.625	1.375	0.2812	0.3438	0.31	1347	734
R12	0.750	1.625	0.3125	0.4375	0.31	1770	1018
R14	0.875	1.875	0.3750	0.5000	0.31	2261	1316
R16	1.000	2.000	0.3750	0.5000	0.31	2261	1316
R18	1.125	2.125	0.3750	0.5000	0.31	2150	1407
R20	1.250	2.250	0.3750	0.5000	0.31	2973	1858
R22	1.375	2.500	0.4375	0.5625	0.31	2756	1910
R24	1.500	2.625	0.4375	0.5625	0.31	2906	2084

Stainless Steel AISI 440C is available in stock, to find or search item add "S" prefix to the part number.

Example: SR12-ZZ, SR10-2RS, SR8