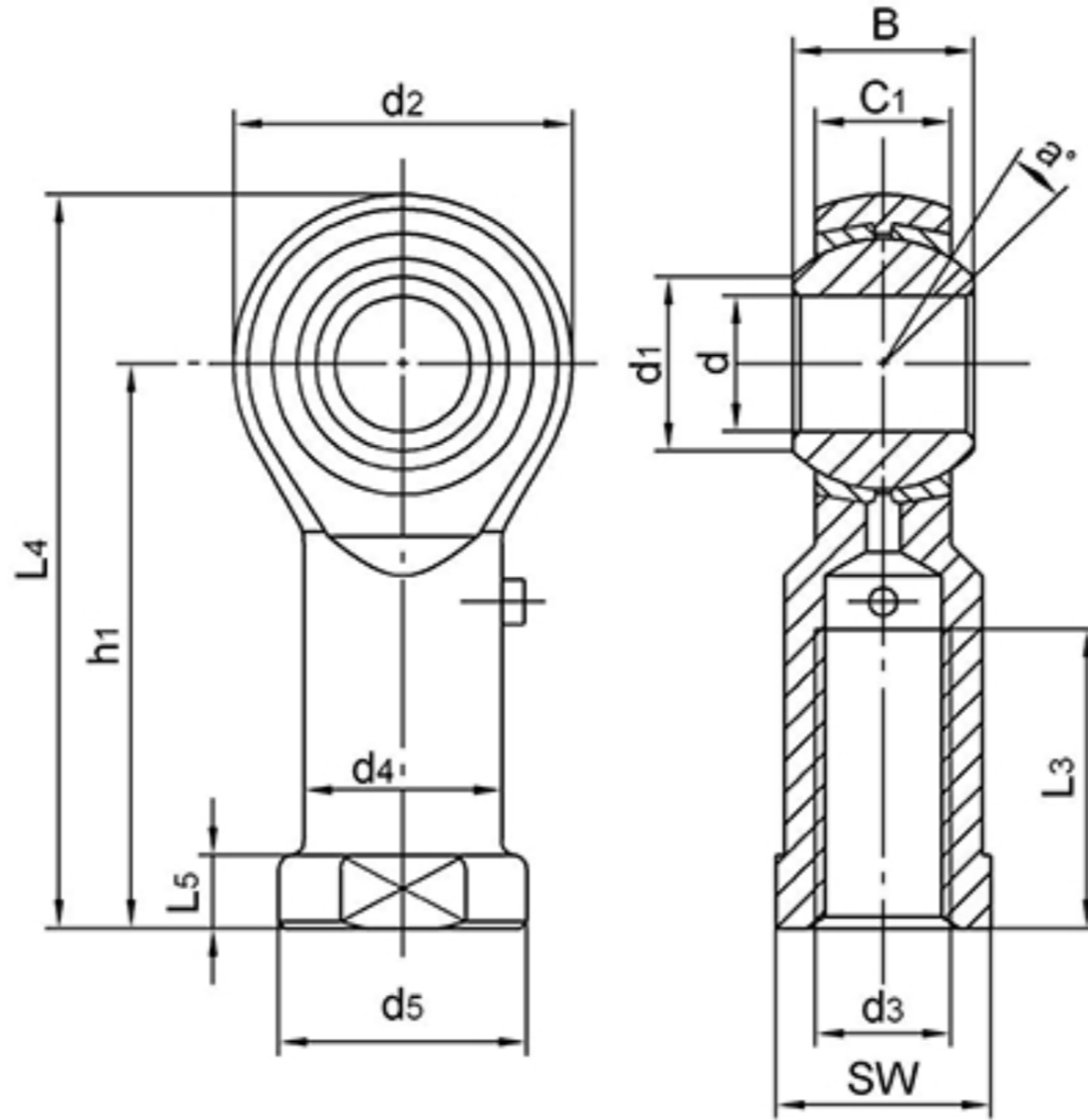


PHS...

Ball: Gcr15 Steel, heat treated, HRC58~64; Precision ground, polished	Body: Carbon steel, Zinc plated. Chromate treated	Race: Brass Sliding contact surfaces: Steel/Brass
---	---	--



Bearing No.	Dimensions(mm)													Ball dia	a° mis. angle	Load ratings (KN)		weight Kg
	d	B	C1	d1	d2	d3-6H	h	L3(L4)	Ls	d4	ds	SW	Dynamic			Static		
PHS3	3	6	4.5	5.1	12	M3	21	10	27	3	7	9	7	7.93	14	1.8	4.5	0.006
PHS4	4	7	5.25	6.5	14	M4	24	12	31	4	7.8	9.5	8	9.52	13	2.2	5.6	0.013
PHS5	5	8	6	7.7	16	M5	27	11	35	4	9	11	9	11.11	13	2.5	6.6	0.016
PHS6	6	9	6.75	8.9	18	M6	30	13	39	5	10	13	11	12.7	13	3.2	8.1	0.025
PHSS	8	12	9	10.3	22	M8	36	16	47	5	12.5	16	14	15.87	14	5.4	12.6	0.043
PHS10 PHS10F1	10	14	10.5	12.9	26	M10 M10x1.25	43	20	56	6.5	15	19	17	19.05	13	7.5	16.6	0.072
PHS12 PHS12/F2	12	16	12	15.4	30	M12 M12x1.25	50	23	65	6.5	17.5	22	19	22.22	13	10	22	0.107
PHS14 PHS14F1	14	19	13.5	16.8	34	M14 M14x1.5	57	27	74	8	20	25	22	25.4	16	13	27.8	0.160
PHS15	15	20	14	18.1	36	M14	61	30	79	8	21	26	22	26.98	16	14.5	29	0.186
PHS16 PHS16F1	16	21	15	19.3	38	M16 M16x1.5	64	32	83	8	22	27	22	28.58	15	16	34.5	0.210
PHS17	17	22	16	20.6	40	M16x1.5	67	34	87	10	24	31	27	30.16	14	18	36	0.259
PHS18	18	23	16.5	21.8	42	M18x1.5	71	35	92	10	25	31	27	31.75	15	19.5	40.8	0.295
PHS20	20	25	18	24.3	46	M20x1.5	77	39	100	10	27.5	34	30	34.92	14	23	46.5	0.380
PHS22	22	28	20	25.8	50	M22x1.5	84	42	109	12	30	37	32	38.1	15	29	52.6	0.490
PHS25	25	31	22	29.5	60	M24x2	94	48	124	12	33.5	42	36	42.86	15	40.5	74.1	0.750
PHS28	28	35	24	32.29	66	M27x2	103	53	136	12	37	46	41	47.63	15	46.1	88.7	0.950
PHS30	30	37	25	34.8	70	M30x2	110	56	145	15	40	50	41	50.8	17	54.3	94.0	1.130

Can supply rod ends with different pitch or accuracy of thread.

For left-hand thread, suffix "L" is added to bearing numbers. eg.: PHS20L M20 x 1.5L-6H: