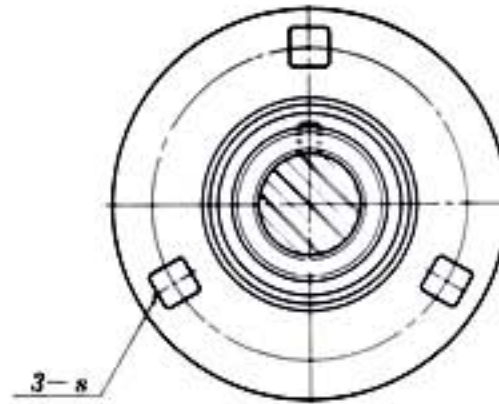
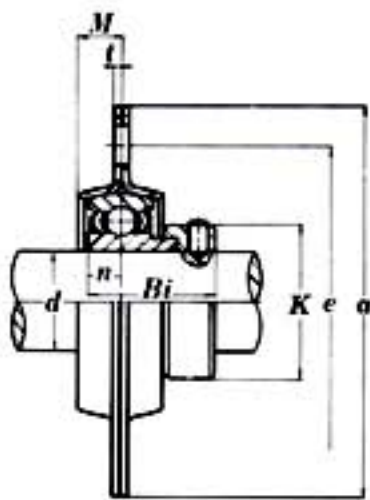
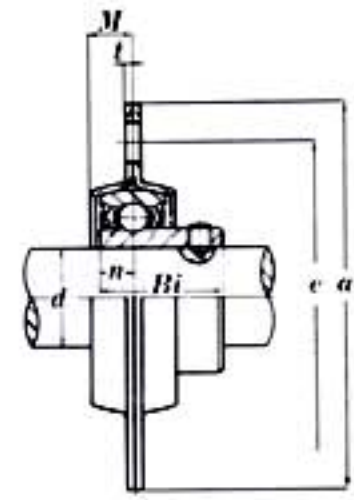


SAPF 200



SBPF 200



Unit No.	Shaft Dia.		Dimensions (in.) (mm)						Bolt Used (in.)	SAPF				SBPF			Housing No.
	d		a	e	M	t (mm)	s	n		Bi	K	Bearing No.	Weight kg.	Bi	Bearing No.	Weight kg.	
	(in.)	(mm)															
SAPF 201 SBPF 201-8	1/2	12	3 3/16 81	2 1/2 63.5	9/32 7.0	2	9/32 7.1	0.2362 6.0	1/4	1.1220 28.5	1.1260 28.6	SA 201 201-8	0.30	0.8661 22.0	SB 201 201-8	0.27	PF 203
SAPF 202 SBPF 202-10	5/8	15	3 3/16 81	2 1/2 63.5	9/32 7.0	2	9/32 7.1	0.2362 6.0	1/4	1.1220 28.5	1.1260 28.6	SA 202 202-10	0.30	0.8661 22.0	SB 202 202-10	0.27	PF 203
SAPF 203 SBPF 203		17	3 3/16 81	2 1/2 63.5	9/32 7.0	2	9/32 7.1	0.2362 6.0	1/4	1.1220 28.5	1.1260 28.6	SA 203	0.30	0.8661 22.0	SB 203	0.27	PF 203
SAPF 204-12 SBPF 204	3/4	20	3 17/32 90	2 3/16 71.5	5/16 8	2	23/64 9.0	0.2756 7.0	5/16	1.1614 29.5	1.3110 33.3	SA 204-12 204	0.33	0.9843 25.0	SB 204-12 204	0.33	PF 204
SAPF 205-14 SBPF 205 205-16	7/8 1	25	3 3/4 95	2 63/64 76	23/64 9	2	23/64 9.0	0.2953 7.5	5/16	1.2008 30.5	1.5000 38.1	SA 205-14 205 205-16	0.42	1.0630 27.0	SB 205-14 205 205-16	0.38	PF 205
SAPF 206-18 SBPF 206 206-19 SAPF 206-20	1 1/8 1 3/16 1 1/4	30	4 7/16 113	3 9/16 90.5	3/8 9.5	2.6	7/16 11	0.3150 8.0	3/8	1.3346 33.9	1.7520 44.5	SA 206-18 206 206-19 206-20	0.65	1.1811 30.0	SB 206-18 206 206-19 206-20	0.62	PF 206
SAPF 207-20 SBPF 207-22 207 207-23	1 1/4 1 3/8 1 7/16	35	4 13/16 122	3 15/16 100	7/16 11	2.6	7/16 11	0.3346 8.5	3/8	1.4370 36.5	2.1890 55.6	SA 207-20 207-22 207 207-23	0.90	1.2598 32.0	SB 207-20 207-22 207 207-23	0.82	PF 207