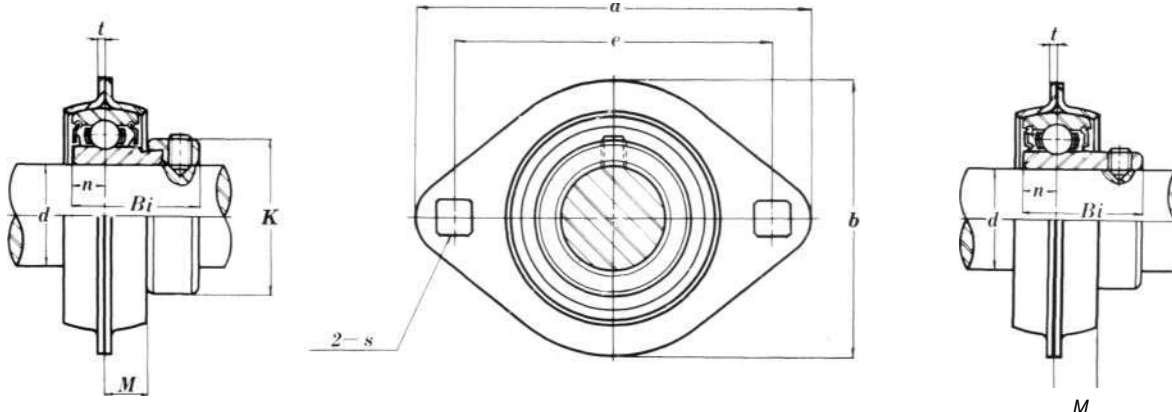


**SAPFL200**

**Pressed Steel Housing Flange Unit  
(light-duty)**

**SBPFL200**



Unit No	Shaft Dia.		Dimensions (in) (mm)							Bolt Size (in.)	SAPFL			SBPFL		Housing No.
	d		a	e	M	b	t	s	n		Bi	K	Bearing No.	Bi	Bearing No.	
	(in)	(mm)														
SAPFL201 SBPFL201 SAPFL201-8 SBPFL201-8	1/2	12	3 3/8 81	2-1/2 63.5	9/32 7	2-5/16 59	2.0	9/32 7.1	0.2362 6.0	1/4	1.122 28.5	1.126 28.6	SA201 SA201-8	0.8661 22	SB201 SB201-8	PFL 203
SAPFL202 SBPFL202 SAPFL202-10 SBPFL202-10	5/8	15	3-3/16 81	2-1/2 63.5	9/32 7	2-5/16 59	2.0	9/32 7.1	0.2362 6.0	1/4	1.122 28.5	1.126 28.6	SA202 SA202-10	0.8661 22	SB202 SB202-10	PFL 203
SAPFL203 SBPFL203		17	3-3/16 81	2-1/2 63.5	9/32 7	2-5/16 59	2.0	9/32 7.1	0.2362 6.0	1/4	1.122 28.5	1.126 28.6	SA 203	0.8661 22	SB 203	PFL 203
SAPFL204 SBPFL204 SAPFL204-12 SBPFL204-12	3/4	20	3-3/16 90	2-13/16 71.5	5/16 8	2-5/8 67	2.0	23/64 9.0	0.2756 7.0	5/16	1.1614 29.5	1.311 33.3	SA204 SA204-12	0.9843 25	SB204 SB204-12	PFL 204
SAPFL205-14 SBPFL205-14 SAPFL205 SBPFL205 SAPFL205-16 SBPFL205-16	1	25	3-3/4 95	3 76	23/64 9	2-25/32 71	2.0	23/64 9.0	0.2953 7.5	5/16	1.2 30.5	1.5 38.1	SA205 SA205-14 SA205-16	1.0630 27	SB205 SB205-14 SB205-16	PFL 205
SAPFL206-18 SBPFL206-18 SAPFL206 SBPFL206 SAPFL206-19 SBPFL206-19 SAPFL206-20 SBPFL206-20	1-1/8 1-3/16 1-1/4	30	4-7/16 113	3-9/16 90.5	3/8 9.5	3-5/16 84	2.6	7/16 11	0.3150 8.0	3/8	1.3346 33.9	1.752 44.5	SA206 SA206-18 SA206-19 SA206-20	1.1811 30	SB206 SB206-18 SB206-19 SB206-20	PFL 206