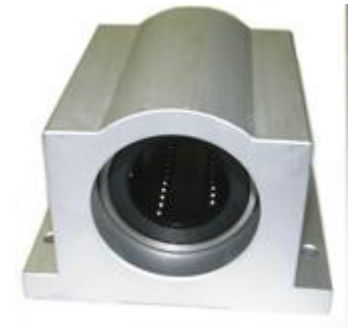
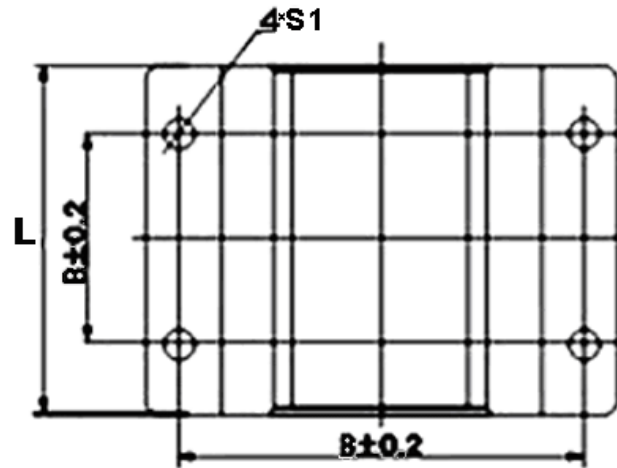
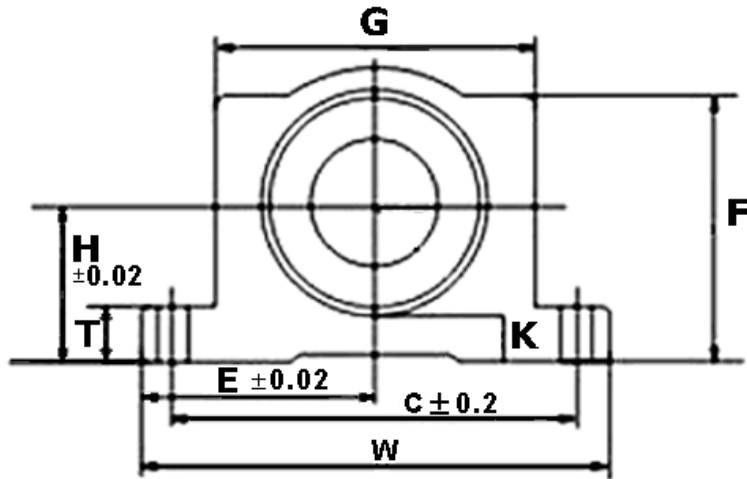


HOUSING DIMENSIONS



DIMENSIONS IN INCHES

COMPLETE UNIT NO.	MAIN DIMENSIONS								MOUNTING DIMENSIONS			Linear Bushing Bearing No	SHAFT SIZE
	H	E	W	L	F	T	G	K	B	C	S1		
SWA 8	11/16	1	2	1-11/16	1-1/8	1/4	1-3/8	1/4	1	1-11/16	5/32	SW 8UU	1/2
SWA10	7/8	1-1/4	2-1/2	1-15/16	1-7/16	9/32	1-3/4	5/16	1-1/8	2-1/8	3/16	SW10UU	5/8
SWA12	15/16	1-3/8	2-3/4	2-1/16	1-9/16	5/16	1-7/8	5/16	1-1/4	2-3/8	3/16	SW12UU	3/4
SWA16	1-3/16	1-5/8	3-1/4	2-13/16	1-15/16	3/8	2-3/8	13/32	1-3/4	2-7/8	7/32	SW16UU	1
SWA20	1-1/2	2	4	3-5/8	2-1/2	7/16	3	1/2	2	3-1/2	7/32	SW20UU	1-1/4
SWA24	1-3/4	2-3/8	4-3/4	4	2-15/16	1/2	3-1/2	9/16	2-1/2	4-1/8	9/32	SW24UU	1-1/2