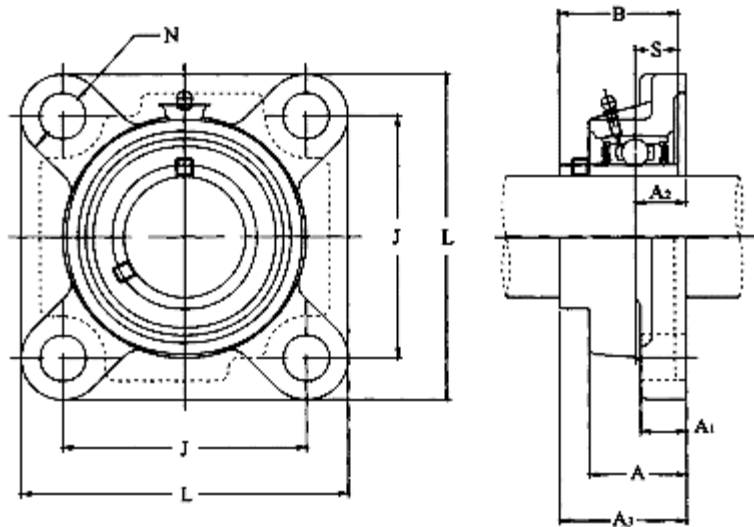


PRODUCT SPECIFICATION DATA SHEET



With Lubrication feature. Any UC bearing has dual set screw locking, wide inner ring and anti-rotation device. These dimensions are used in all other material made housings and insert ball bearings, such as Stainless Steel, Nickel Plated or Plastic housings.

| HOUSING No | UNIT No. | SHAFT SIZE | DIMENSIONS | | | | | | | | | BOLT SIZE |
|------------|-----------|------------|------------|--------|-------|-------|--------|-------|---------|--------|-------|-----------|
| | | | in-mm | | | | | | | | | |
| | | | L | J | A2 | A1 | A | N | A3 | B | S | in-mm |
| F201 | UCF201 | 12mm | | | | | | | | | | |
| | UCF201-8 | 1/2 | | | | | | | | | | |
| F202 | UCF202 | 15mm | 3 3/8 | 2 | 19/32 | 7/16 | 1 | 15/32 | 1 5/16 | 1.2205 | 0.5 | 3/8 |
| | UCF202-10 | 5/8 | 86 | 33/64 | 15 | 11.1 | 25.4 | 12 | 33.3 | 31 | 12.7 | 10 |
| F203 | UCF203 | 17mm | | | | | | | | | | |
| | UCF203-11 | 11/16 | | | | | | | | | | |
| F204 | UCF204 | 20mm | 3 3/8 | 2 | 19/32 | 7/16 | 1 | 15/32 | 1 5/16 | 1.2205 | 0.5 | 3/8 |
| | UCF204-12 | 3/4 | 86 | 33/64 | 15 | 11.1 | 25.4 | 12 | 33.3 | 31 | 12.7 | 10 |
| F205 | UCF205 | 25mm | | | | | | | | | | |
| | UCF205-13 | 13/16 | 3 3/4 | 2 3/4 | 5/8 | 1/2 | 1 1/16 | 15/32 | 1 13/32 | 1.3386 | 0.563 | 3/8 |
| | UCF205-14 | 7/8 | 95 | 70 | 16 | 12.7 | 27 | 12 | 35.7 | 34 | 14.3 | 10 |
| | UCF205-15 | 15/16 | | | | | | | | | | |
| | UCF205-16 | 1 | | | | | | | | | | |
| F206 | UCF206 | 30mm | | | | | | | | | | |
| | UCF206-17 | 1 1/16 | 4 1/4 | 3 | 45/64 | 1/2 | 1 7/32 | 15/32 | 1 19/32 | 1.5 | 0.626 | 3/8 |
| | UCF206-18 | 1 1/8 | 108 | 17/64 | 18 | 12.7 | 31 | 12 | 40.2 | 38.1 | 15.9 | 10 |
| | UCF206-19 | 1 3/16 | | 83 | | | | | | | | |
| | UCF206-20 | 1 1/4 | | | | | | | | | | |
| F207 | UCF207 | 35mm | | | | | | | | | | |
| | UCF207-20 | 1 1/4 | 4 19/32 | 3 5/8 | 3/4 | 19/32 | 1 | 35/64 | 1 3/4 | 1.689 | .689 | 7/16 |
| | UCF207-21 | 1 5/16 | 117 | 92 | 19 | 15 | 11/32 | 14 | 44.4 | 43 | 17.5 | 12 |
| | UCF207-22 | 1 3/8 | | | | | | | | | | |
| | UCF207-23 | 1 7/16 | | | | | | | | | | |
| F208 | UCF208 | 40mm | 5 1/8 | 4 1/64 | 53/64 | 19/32 | 1 | 5/8 | 2 1/32 | 1.937 | 0.748 | 1/2 |
| | UCF208-24 | 1 1/2 | 130 | 100 | 21 | 15 | 13/32 | 15.8 | 51.2 | 49.2 | 19 | 14 |

