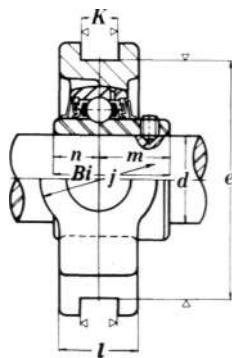
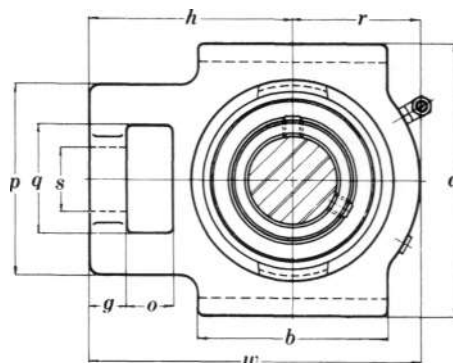


**Take-up Units
Normal-Duty**



**UCT200 SERIES
Narrow metric slot type**



UNIT No.	Shaft Dim mm	Dimensions (mm)															Housing No
		<i>o</i>	<i>g</i>	<i>P</i>	<i>q</i>	<i>s</i>	<i>b</i>	<i>k</i>	<i>e</i>	<i>a</i>	<i>w</i>	<i>J</i>	<i>i</i>	<i>h</i>	<i>Bi</i>	<i>n</i>	
UCT201	12	16	10	51	32	19	51	12	76	89	94	32	21	61	31	12.7	T204
UCT202	15	16	10	51	32	19	51	12	76	89	94	32	21	61	31	12.7	T204
UCT203	17	16	10	51	32	19	51	12	76	89	94	32	21	61	31	12.7	T204
UCT204	20	16	10	51	32	19	51	12	76	89	94	32	21	61	31	12.7	T204
UCT205	25	16	10	51	32	19	51	12	76	89	97	32	24	62	34	14.3	T205
UCT206	30	16	10	56	37	22	57	12	89	102	113	37	28	70	38.1	15.9	T206
UCT207	35	16	13	64	37	22	64	12	89	102	129	37	30	78	42.9	17.5	T207
UCT208	40	19	16	83	49	29	83	16	102	114	144	49	33	88	49.2	19	T208
UCT209	45	19	16	83	49	29	83	16	102	117	144	49	35	87	49.2	19	T209
UCT210	50	19	16	83	49	29	86	16	102	117	149	49	37	90	51.6	19	T21C
UCT211	55	25	19	102	64	35	95	22	130	146	171	64	38	106	55.6	22.2	T211
UCT212	60	32	19	102	64	35	102	22	130	146	194	64	42	119	65.1	25.4	T212
UCT213	65	32	21	111	70	41	121	26	151	167	224	70	44	137	65.1	25.4	T213
UCT214	70	32	21	111	70	41	121	26	151	167	224	70	46	137	74.6	30.2	T214
UCT215	75	32	21	111	70	41	121	26	151	167	232	70	48	140	77.8	33.3	T215
UCT216	80	32	21	111	70	41	121	26	165	184	235	70	51	140	82.6	33.3	T216
UCT217	85	38	29	124	73	48	157	30	173	198	260	73	54	162	85.7	34.1	T217